

100S-D Safety Contactors – 95...860 A



Product Profile

The 100S-D Safety Contactors are designed to provide safe isolation of hazardous motion loads, utilizing “mirror contact” performance. Mirror contacts provide reliable indication about the open/closed status of the main power poles.

Features:

- Product range:
 - 100S-D95...860 A
 - AC and DC coils
- Provided with two (2), 1 N.O./1 N.C. contact blocks
- Third party certification:
 - SUVA
 - UL
- Meets IEC 60947-4, Annex F “Mirror Contact” performance for contactors
- Factory assembled and tested
- Red auxiliaries for ease of identification in safety circuit
- Side-mount auxiliaries are fixed using mounting screws
 - Auxiliary contacts cannot be removed without the use of a tool
- Markings include IEC 60947-4 “Mirror Contact” symbol



100S-D95...D180



100S-D210...D420



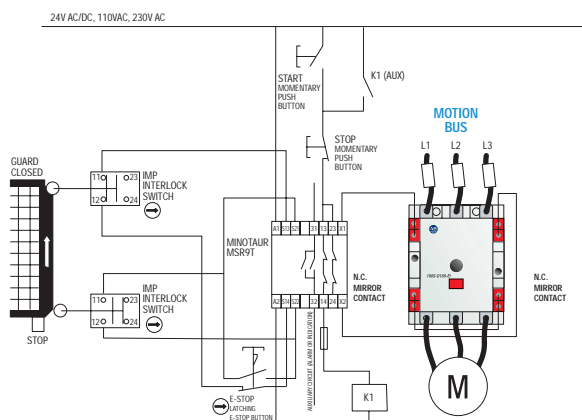
100S-D630...D860



“Mirror Contact” Performance

The N.C. auxiliary contacts will not change state if the main power poles weld.

- Each 100S-D Safety Contactor is supplied with two (2) 1 N.O./1 N.C. contact blocks, one mounted on each side of the crossbar
- In the event that a main power pole would weld, the N.C. auxiliary contact(s) will not reclose when power is removed from the coil
- The N.C. auxiliaries are either wired in series or monitored separately; both contacts must be monitored
- Redundancy may be required depending on SIL category compliance



Bringing Together Leading Brands in Industrial Automation

Product Selection



Ratings					Configuration				Coil Type	Cat. No.
I_e [A]		kW	Hp							
AC3	AC1	381...415V	460V	575V	Main		Auxiliary			
9	35	4	5	7-1/2	3	1	0	5	AC	100S-C09@05C
					4	0	0	4	DC	100S-C09Z@05C
12	32	5-1/2	7-1/2	10	3	1	0	5	AC	100S-C12@05C
					4	0	0	4	DC	100S-C12Z@05C
16	32	7-1/2	10	15	3	1	0	5	AC	100S-C16@05C
					4	0	0	4	DC	100S-C16Z@05C
23	32	11	15	15	3	1	0	5	AC	100S-C23@05C
					4	0	0	4	DC	100S-C23Z@05C
30	50	15	20	25	3	0	0	4	AC	100S-C30@04C
37	50	18.5	25	30	3	0	0	4	DC	100S-C30Z@04C
43	85	22	30	30	3	0	0	4	AC	100S-C37@04C
									DC	100S-C37Z@04C
60	100	30	40	50	3	0	0	4	AC	100S-C43@04C
									DC	100S-C43Z@04C
60	100	30	40	50	3	0	0	4	AC	100S-C60@04C
									DC	100S-C60Z@04C
72	100	37	50	60	3	0	0	4	AC	100S-C72@04C
									DC	100S-C72Z@04C
85	100	45	60	60	3	0	0	4	AC	100S-C85@04C
									DC	100S-C85Z@04C



Ratings					Configuration				Coil Type	Cat. No.
I_e [A]		kW	Hp							
AC3	AC1	400/415V	460V	575V	Main		Auxiliary			
95	160	50	60	75	3	0	2	2	Conv. EI	100S-D95@22C
									EI	100S-D95E@22C
110	160	55	75	110	3	0	2	2	Conv. EI	100S-D110@22C
									EI	100S-D110E@22C
140	250	75	100	150	3	0	2	2	Conv. EI	100S-D140@22C
									EI	100S-D140E@22C
180	250	90/100	150	150	3	0	2	2	Conv. EI	100S-D180@22C
									EI	100S-D180E@22C
210	350	110	150	200	3	0	2	2	EI	100S-D210E@22C
250	350	132/150	200	250	3	0	2	2	EI	100S-D250E@22C
300	450	160	250	300	3	0	2	2	EI	100S-D300E@22C
420	500	220/250	350	400	3	0	2	2	EI	100S-D420E@22C
630	800	310	500	600	3	0	2	2	EI	100S-D630E@22C
860	1000	360	600	700	3	0	2	0	EI	100S-D860E@22C