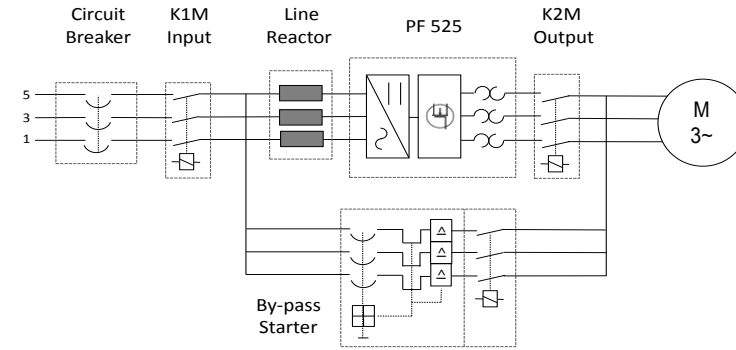


Short-circuit Coordination

Starter Type: AC Variable Frequency Drive
 PowerFlex 525
 S.C. Protective Device: **Motor Protection Circuit Breakers (MPCB)**
140M-C, -D, -F
 Input/Output Contactor: 100-C, 100S-C
 Bypass Starters: 140M MPCB and 100-C, 100S-C
 Rated Operational Voltage: **380..400V, 50Hz**
 Test Voltage: 436V 50Hz
 Rated Conditional S.C. Current (Iq): **65kA (rms sym.)**
 Level of S.C. Coordination: Type "1" or "2" per IEC 60947-4



Motor Ratings		Drive Ratings - Normal Duty ²⁾				BCPD - Circuit Breaker		Line Reactor	Contactor		Bypass Starter ⁵⁾		IEC Coordination			
3 ph	1500 rpm	Input		Output	w/o EMC Filter	w/ EMC Filter	Cat. No.	Input/Output	Input	Output	MPCB		Contactor	Coordination Type	Remark	
[kW]	[A] ¹⁾	kVA	[A]	[A]	Cat. No.	Cat. No.		Cat. No.	Cat. No.	Cat. No.	Cat. No.	Cat. No.	Adj Range			Cat. No.
0.4	1.1	1.7	1.9	1.4	25B-D1P4N104	25B-D1P4N114	140M-C2E-B25	2.5	1321-3RA1-C/B	100-C09...	100-C09...	140M-C2E-B16	1.0 - 1.6	100-C09...	Type 2	---
0.75	1.9	2.9	3.2	2.3	25B-D2P3N104	25B-D2P3N114	140M-C2E-B40	4.0	1321-3RA2-A/A	100-C09...	100-C09...	140M-C2E-B25	1.6 - 2.5	100-C09...		---
1.0	2.7	5.2	5.7	4.0	25B-D4P0N104	25B-D4P0N114	140M-C2E-B63	6.3	1321-3RA4-B/B	100-C09...	100-C09...	140M-D8E-B40	2.5 - 4.0	100-C09...		---
1.5	3.6	5.2	5.7	4.0	25B-D4P0N104	25B-D4P0N114	140M-C2E-B63	6.3	1321-3RA4-B/B	100-C09...	100-C09...	140M-D8E-B40	2.5 - 4.0	100-C09...		---
2.2	4.9	6.9	7.5	6.0	25B-D6P0N104	25B-D6P0N114	140M-C2E-C10	10	1321-3RA8-C/C	100-C09...	100-C09...	140M-D8E-B63	4.0 - 6.3	100-C09...		---
4	8.5	12.6	13.8	10.5	25B-D010N104	25B-D010N114	140M-C2E-C16	16	1321-3RA8-B/B	100-C12...	100-C12...	140M-D8E-C10	6.3 - 10	100-C09...		---
5.5	11.5	14.1	15.4	13.0	25B-D013N104	25B-D013N114	140M-D8E-C20	20	1321-3RA12-B/B	100-C16...	100-C16...	140M-D8E-C16	10 - 16	100-C12...		---
7.5	15.5	16.8	18.4	17.0	25B-D017N104	25B-D017N114	140M-D8E-C20	20	1321-3RA18-B/B	100-C16...	100-C16...	140M-D8E-C20	16 - 20	100-C16...		---
11	22	24.1	26.4	24.0	25B-D024N104	25B-D024N114	140M-F8E-C32	32	1321-3RA25-B/B	100-C30...	100-C30...	140M-D8E-C25	20 - 25	100-C23...		---
15	29	30.2	33.0	30.0	25B-D030N113	25B-D030N114	140M-F8E-C45	45	1321-3RA35-B/B	100-C37...	100-C37...	140M-F8E-C32	23 - 32	100-C30...		---
18.5	35	30.8	33.7	37.0	---	25B-D037N114	140M-F8E-C45	45	1321-3RA35-B/B	100-C37...	100-C37...	140M-F8E-C45	32 - 45	100-C37...		---
22	41	35.6	38.9	43.0	---	25B-D043N114	140M-F8E-C45	45	1321-3RA45-B/B	100-C43...	100-C43...	140M-F8E-C45	33 - 45	100-C43...		---

Motor Ratings		Drive Ratings - Heavy Duty ²⁾				BCPD - Circuit Breaker		Line Reactor	Contactor		Bypass Starter ⁵⁾		IEC Coordination			
3 ph	1500 rpm	Input		Output	w/o EMC Filter	w/ EMC Filter	Cat. No.	Input/Output	Input	Output	MPCB		Contactor	Coordination Type	Remark	
[kW]	[A] ¹⁾	kVA	[A]	[A]	Cat. No.	Cat. No.		Cat. No.	Cat. No.	Cat. No.	Cat. No.	Cat. No.	Adj Range			Cat. No.
0.4	1.1	1.7	1.9	1.4	25B-D1P4N104	25B-D1P4N114	140M-C2E-B25	2.5	1321-3RA1-C/B	100-C09...	100-C09...	140M-C2E-B16	1.0 - 1.6	100-C09...	Type 2	---
0.75	1.9	2.9	3.2	2.3	25B-D2P3N104	25B-D2P3N114	140M-C2E-B40	4.0	1321-3RA2-A/A	100-C09...	100-C09...	140M-C2E-B25	1.6 - 2.5	100-C09...		---
1.0	2.7	5.2	5.7	4.0	25B-D4P0N104	25B-D4P0N114	140M-C2E-B63	6.3	1321-3RA4-B/B	100-C09...	100-C09...	140M-D8E-B40	2.5 - 4.0	100-C09...		---
1.5	3.6	5.2	5.7	4.0	25B-D4P0N104	25B-D4P0N114	140M-C2E-B63	6.3	1321-3RA4-B/B	100-C09...	100-C09...	140M-D8E-B40	2.5 - 4.0	100-C09...		---
2.2	4.9	6.9	7.5	6.0	25B-D6P0N104	25B-D6P0N114	140M-C2E-C10	10	1321-3RA8-C/C	100-C09...	100-C09...	140M-D8E-B63	4.0 - 6.3	100-C09...		---
4	8.5	12.6	13.8	10.5	25B-D010N104	25B-D010N114	140M-C2E-C16	16	1321-3RA8-B/B	100-C12...	100-C12...	140M-D8E-C10	6.3 - 10	100-C09...		---
5.5	11.5	14.1	15.4	13.0	25B-D013N104	25B-D013N114	140M-D8E-C20	20	1321-3RA12-B/B	100-C16...	100-C16...	140M-D8E-C16	10 - 16	100-C12...		---
7.5	15.5	16.8	18.4	17.0	25B-D017N104	25B-D017N114	140M-D8E-C20	20	1321-3RA18-B/B	100-C16...	100-C16...	140M-D8E-C20	16 - 20	100-C16...		---
11	22	24.1	26.4	24.0	25B-D024N104	25B-D024N114	140M-F8E-C32	32	1321-3RA25-B/B	100-C30...	100-C30...	140M-D8E-C25	20 - 25	100-C23...		---
11	22	30.2	33.0	30.0	25B-D030N113	25B-D030N114	140M-F8E-C45	45	1321-3RA25-B/B	100-C37...	100-C37...	140M-D8E-C25	20 - 25	100-C23...		---
15	29	30.8	33.7	37.0	---	25B-D037N114	140M-F8E-C45	45	1321-3RA25-B/B	100-C37...	100-C37...	140M-F8E-C32	23 - 32	100-C30...		---
18.5	35	35.6	38.9	43.0	---	25B-D043N114	140M-F8E-C45	45	1321-3RA35/45-B/B	100-C37...	100-C37...	140M-F8E-C45	32 - 45	100-C37...		---

¹⁾ Typical motor currents per IEC 60947-4-1 Table G.1
²⁾ Normal & Heavy Duty Starting based on number of starts per hour
³⁾ Set FLA adjustment dial to maximum setting
⁴⁾ Incomplete catalog number, add coil code and auxiliary contacts
⁵⁾ Bypass starter sized to cover motor FLC

Note: This data is subject to change by Rockwell Automation without notice. Go to www.rockwellautomation.com/products/certification for latest information.